



KENNEDY VALVE



UL/FM BUTTERFLY VALVES



Designed for the Fire Protection Industry

Sizes: 2-1/2", 3", 4", 6", 8"

300 PSI Rated

Double Seal Design for Bubble Tight Shut Off

Outdoor Rated

CA. State Fire Marshall Accepted

Lightweight

Fusion Bonded Coated Body

Low Torque Operation

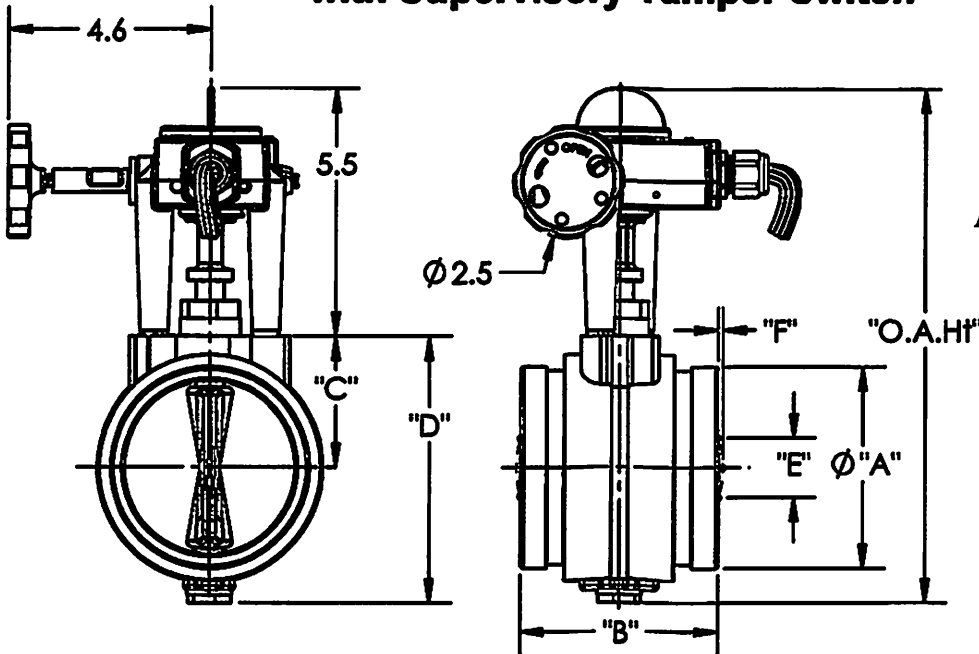
Easy to Read Flag Type Indicator

KENNEDY VALVE

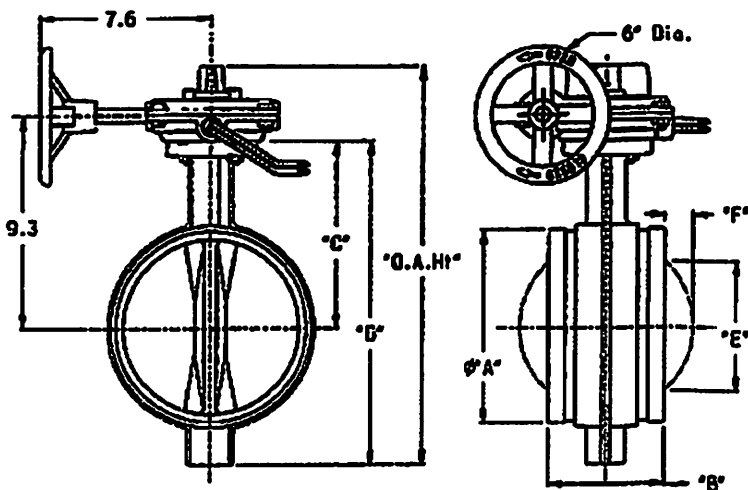
Division of McWane, Inc.

1021 East Water St., Elmira, NY 14901 (607) 734-2211

Grooved End Butterfly Valves 2 1/2" to 8" Figure G300/G300C & 01G 300 psi with Supervisory Tamper Switch



Sizes 2 1/2" - 6"
G300/G300C
Outdoor Rated UL/FM
Available Normally Open
and Normally Closed



Size 8" Only
OIG
Outdoor Rated UL
Available Normally Open
and Normally Closed

1. UPPER AND LOWER SHAFTS 410SS/414SS					
2. BODY COATING: EPOXY					
3. DISC ENCAPSULATION MTL: EPDM					
SIZE	G300				01G
	2 1/2"	3"	4"	6"	8"
A	2.85	3.4	4.4	6.6	8.6
B	3.8	3.8	4.5	5.8	5.2
C	2.2	2.4	2.9	4.0	8.2
D	4.3	4.8	5.9	8.1	14.3
E	N/A	N/A	N/A	1.7	5.9
F	N/A	N/A	N/A	1	1.3
O.A. HI	10.0	10.4	11.6	13.8	17.6
WT. #	8.8	10.1	13.5	24.6	44

Note: "E will be MINIMUM allowed pipe I.D.
Exercise care handling and installing



KENNEDY VALVE
 Division of McWane, Inc.



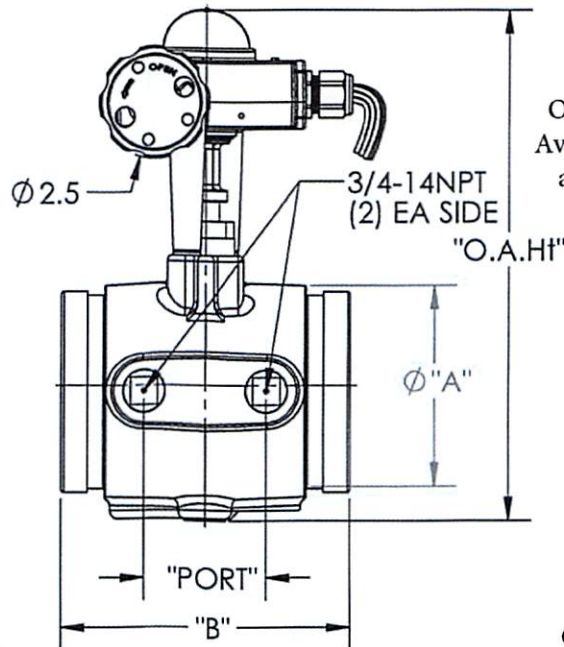
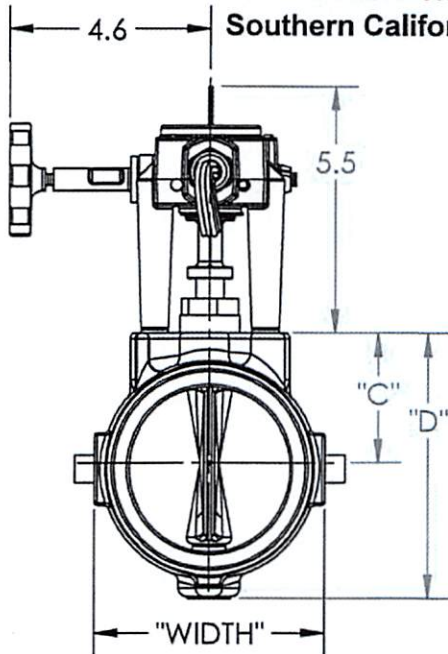
1021 East Water St., Elmira, NY 14901 (607) 734-2211

Grooved End Butterfly Valves 2 1/2" to 8"

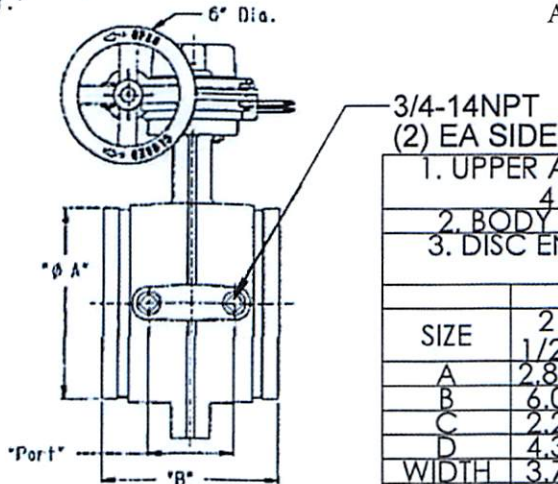
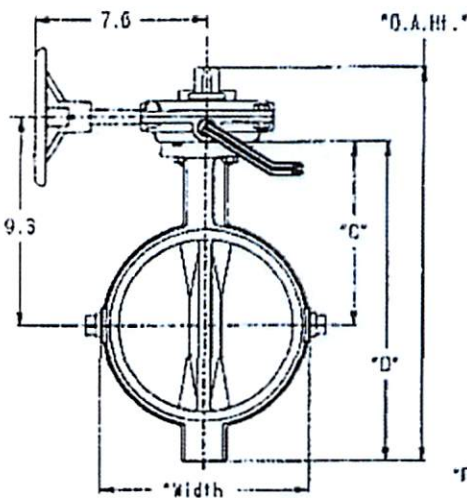
**Figure G300E/G300EC & 02G 300 psi
 with Supervisory Tamper Switch**

- Extended Length Valves Equipped with Four 3/4" NPT Ports
- 4"-8" Sizes Approved for Cross Connection
- NSF61 Certified

Connection Control and Hydraulic Research at the University of Southern California



Sizes 2 1/2" - 6"
 G300E / G300EC
 Outdoor Rated UL/FM
 Available Normally Open
 and Normally Closed



8" Only
 02G
 Outdoor Rated UL
 Available Normally Open
 and Normally Closed

	1. UPPER AND LOWER SHAFTS 410SS/416SS				
	2. BODY COATING: EPOXY				
	3. DISC ENAPSULATION MTL: EPDM				
	G300E				02G
SIZE	2 1/2"	3"	4"	6"	8"
A	2.85	3.47	4.47	6.61	8.6
B	6.0	6.3	6.6	6.9	7.9
C	2.2	2.4	2.9	4.0	8.2
D	4.3	4.8	5.9	8.1	14.3
WIDTH	3.7	4.2	5.2	7.4	9.3
PORT	2.3	2.6	2.8	3.1	2.3
O.A. HT	10.0	10.4	11.6	13.8	17.6
WT. #	12.5	14.5	18	28	55

Note: Disc does not protrude past the "B" dimension of the body on any size in the open position. Exercise care handling and during installation

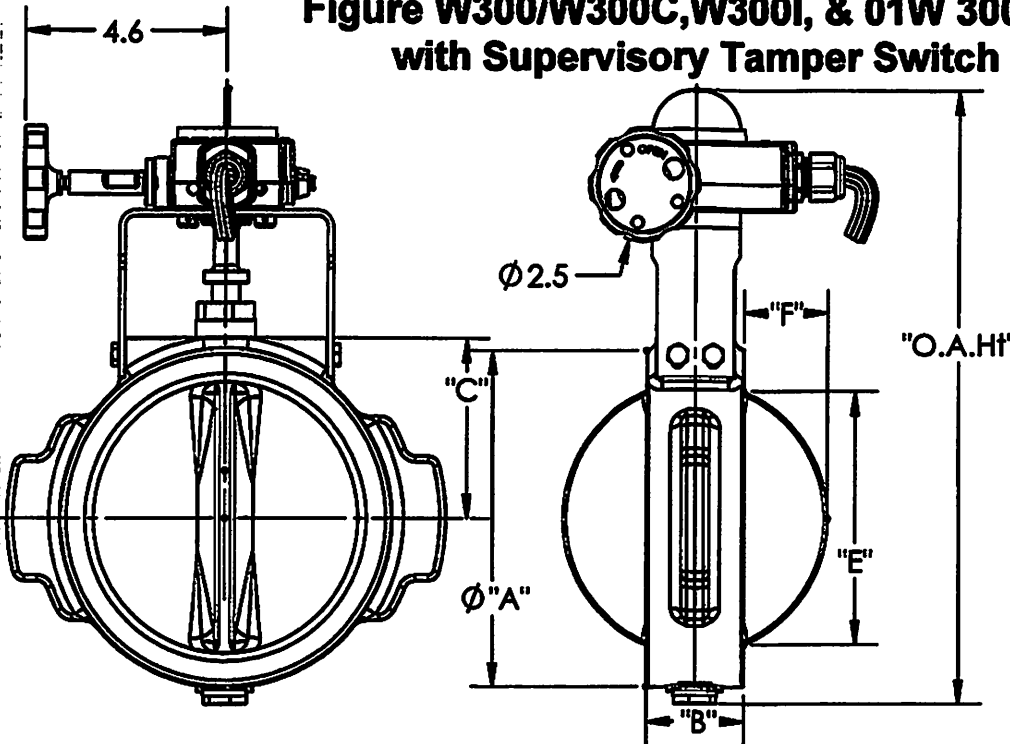


KENNEDY VALVE
 Division of McWane, Inc.



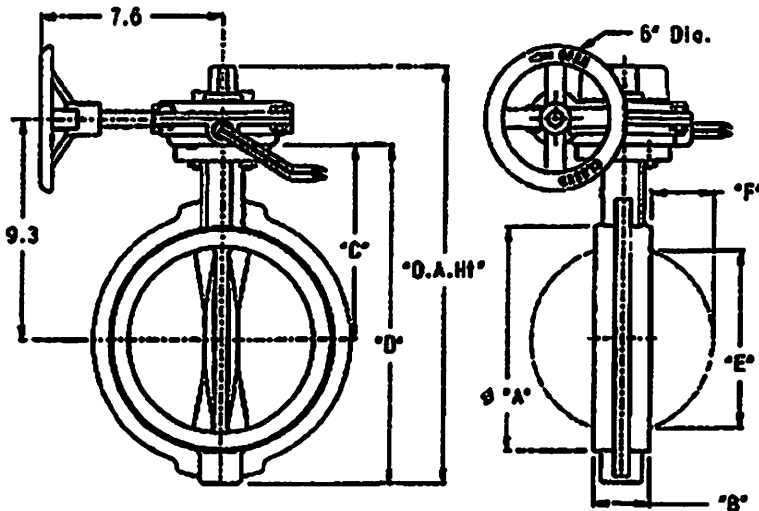
1021 East Water St., Elmira, NY 14901 (607) 734-2211

Wafer Butterfly Valves 2 1/2" to 8"
Figure W300/W300C, W300I, & 01W 300 psi
with Supervisory Tamper Switch



Valve Selection for ISO PN16 Flange	
Flange Size	KV Model
65MM	2 1/2" W300
80MM	3" W300I
100MM	4" W300I
150MM	6" W300

Sizes 2 1/2" - 6"
 W300/W300C/W300I
 Outdoor Rated UL /FM
 Available Normally Open and
 Normally Closed



8" Size Only
 02G
 Outdoor Rated UL Available
 Normally Open and
 Normally Closed

WAFFER BOLTING					
SIZE	2-1/2"	3"	4"	6"	8"
Number of Studs	4	4	8	8	8
Stud Size (Inch)	5/8	5/8	5/8	3/4	3/4
Stud Length Min (Inch)	5.5	5.5	6.5	7	7.5
Recommended Min Torque (Ft Lbs)	30	30	30	40	50

1. UPPER AND LOWER SHAFTS 410SS/416SS						
2. BODY COATING: EPOXY						
3. DISC ENAPSULATION MIL: FPDM						
SIZE	W300, W300I					01W
	2 1/2"	3"	4"	6"	8"	
A	4.2	4.4	5.3	7.5	9.5	
B	1.8	1.8	2.0	2.2	2.4	
C	2.2	2.4	2.9	4.0	8.2	
D	4.3	4.8	5.9	8.1	14.3	
E	1.7	4.2	3.3	5.6	9.3	
F	4	6	9	1.9	2.7	
O.A. HT	10.0	10.4	11.6	13.8	17.6	
WT.#	10.5	11.1	13.8	20.5	44	

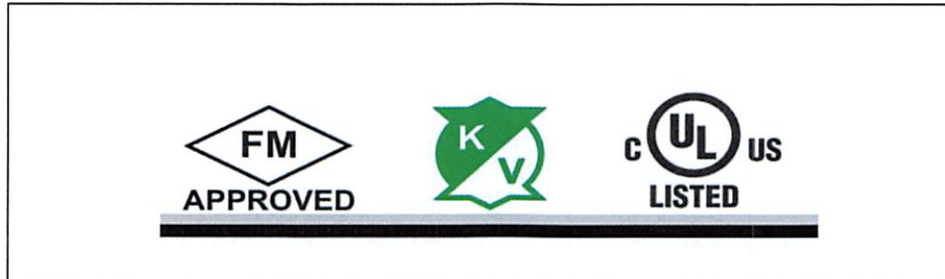
Dimensions B, D, and E are referenced in Installation Instructions
 "E" is MINIMUM allowed Pipe I.D.
 Exercise care handling and during Installation

KENNEDY VALVE

Division of McWane, Inc.

1021 East Water St. Elmira, NY 14901

UL/FM BUTTERFLY VALVES



INSTALLATIONS INSTRUCTIONS FOR INDOOR & OUTDOOR USE

CAUTION

PRIOR TO INSTALLATION OF SUPERVISORY SWITCHES IN FIRE PROTECTION SYSTEMS, REFER TO THE FOLLOWING STANDARDS:

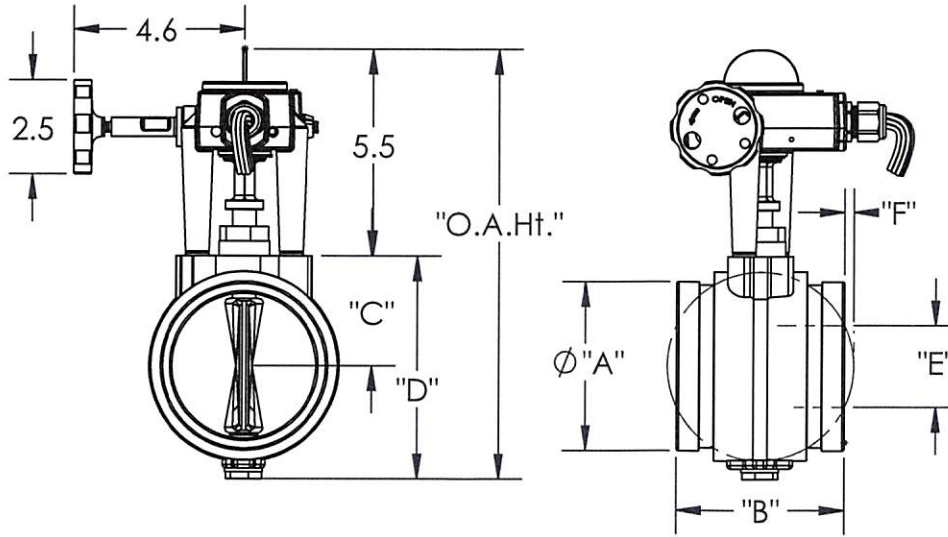
- 1) NFPA 13: STANDARDS FOR THE INSTALLATION OF SPRINKLER SYSTEMS
- 2) NFPA 25: INSPECTION, TESTING, MAINTENANCE OF WATER BASED FIRE PROTECTION SYSTEMS
- 3) NFPA 70: NATIONAL ELECTRICAL CODE
- 4) NFPA 72 NATIONAL FIRE ALARM CODE

WARNING

- 1) REMOVE CORD GRIP FROM GEARBOX BEFORE INSTALLING CONDUIT
- 2) METALLIC CONDUIT REQUIRED BY NEC FOR PROPER GROUNDING
- 3) CONDUIT JOINTED MUST BE SEALED WITH CONDUIT SEALANT
- 4) INSTALL SWITCH IN ACCORDANCE WITH NATIONAL ELECTRICAL CODE AND/OR LOCAL ORDINANCES
- 5) ASSURE ALL DEVICES ARE PROPERLY GROUNDED

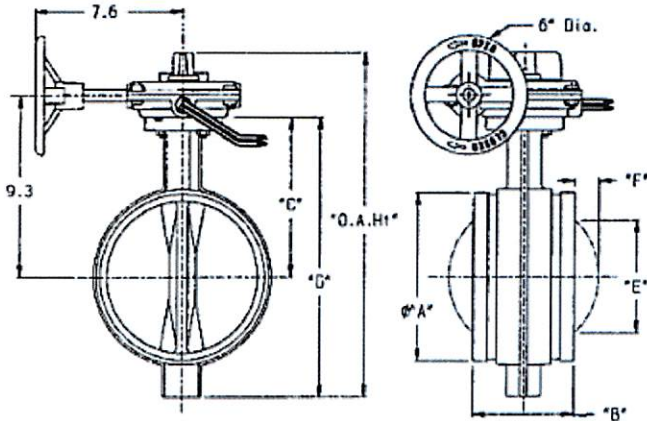
G300, G300E, 01G, 01GC
G300C, G300EC, 02G, 02GC
W300, W300C, 01W, 01WC

INSTALLATION INSTRUCTIONS
FOR INDOOR & OUTDOOR USE



G300
6" SHOWN

THIS STYLE AVAILABLE ON
2.5", 3", 4", 6" & 8" SIZES



01G
8" SHOWN

NOTE:
INTEGRAL GEARBOX
STYLE APPROVED 2015

FIRE PROTECTION PRODUCT IS NOT
NSF CERTIFIED. FOR ACQUIRING NSF61
CERTIFICATION OR USC LISTINGS,
CONTACT THE KENNEDY VALVE SALES
DEPART.

1. UPPER AND LOWER SHAFTS 410SS/416SS
2. BODY COATING: EPOXY
3. DISC ENAPSULATION MTL: EPDM

SIZE	G300					W300					01W
	2.5"	3"	4"	6"	8"	2.5"	3"	4"	6"	8"	8"
A	2.85	3.47	4.47	6.61	8.6	4.2	4.4	5.3	7.5	9.5	
B	3.8	3.8	4.5	5.8	5.2	1.8	1.8	2.0	2.2	2.4	
C	2.2	2.4	2.9	4.0	8.2	2.2	2.4	2.9	4.0	8.2	
D	4.3	4.8	5.9	8.1	14.3	4.3	4.8	5.9	8.1	14.3	
E	N/A	N/A	N/A	1.7	5.9	1.7	4.2	3.3	5.6	9.3	
F	N/A	N/A	N/A	.1	1.3	.4	.6	.9	1.9	2.7	
O.A. HEIGHT	10.0	10.4	11.6	13.8	17.6	10.0	10.4	11.6	13.8	17.6	
WT. (POUNDS)	8.8	10.1	13.5	24.6	44	10.5	11.1	13.8	20.5	44	

GROOVED END CONNECTIONS: FOR USE WITH STEEL GROOVED END PIPE (IPS)
MATING PIPE AND COUPLINGS TO CONFORM TO IPS STEEL PIPE DIMENSIONS
FOR OUTSIDE GROOVE AND GASKET SEATING DIMENSIONS.
SEE DIAGRAM DIM "E" FOR MINIMUM INSIDE DIAMETER OF PIPE.

PIPE CONNECTION SPECIFICATIONS-ALL VALVES RATED 300 PSI

SUPERCEDES		KENNEDY VALVE DIVISION OF MCWANE, INC. TECHNICAL SERVICE MANUAL	ISSUED		DRAWING	
DATE	PAGE		BY	DATE	32271-04	
N/A	N/A		PJD	2/16/21	(PAGE 1/2)	

BUTTERFLY VALVES

Models: G300/G300E/G300C/G300EC/W300/W300E/W300C/W300EC/W30001/01G/02G/01W

SUPPLEMENTARY INSTALLATION INSTRUCTIONS

Information shown here is intended to supplement, not to replace, instructions that are shipped with each valve. Dimensional information regarding minimum pipe I.D. and disc protrusion are shown on dimensional page for particular valve. Exercise care handling and during assembly.

Grooved Body

For use with IPS grooved end.

see valve dimensional information for min. pipe I.D. (dimension E)

Valves shall be installed by person(s) certified to install grooved end fittings in a fire protection system by authority having jurisdiction:

*Follow grooved coupling manufacturers latest published directions.

Wafer Body

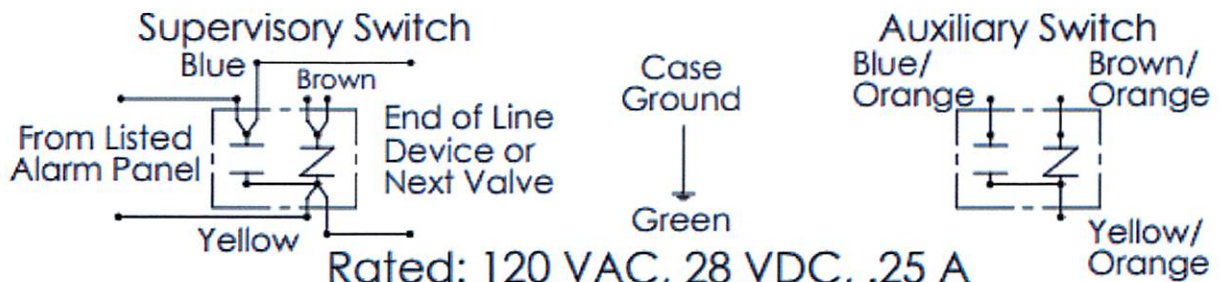
For installation between two ANSI B16.1, 125lb. flanges see valve dimensional information for min. pipe I.D. (dimension E)

1. Two flanged mating pieces should be placed at a distance apart that is slightly more than the thickness of the body (dimension B on wafer table)
2. A minimum of 2 studs shall be placed through adjacent flange holes so that the lower trunnion of the valve can fit between them. Normally this is the bottom 2 holes if the valves will be vertical with open/closed indicator on top
3. Place the valve between the flanges taking care to not disturb the body gaskets.
4. Place remaining studs around the valve and tighten using an alternating pattern until desired torque is reached.
5. O-ring gaskets are shipped with valve to help facilitate installation against ANSI class flanges. When mating to grooved flange adapters the o-ring gaskets can be discarded.

Switch Wiring

1. Valve has internal switches that operate from the OPEN position. Normally Closed valves are an option(W300C/G300C/G300EC), and operate from CLOSED position
2. One switch has dual leads that is for connection to the SUPERVISORY circuit of an alarm panel. The other switch has single leads and is intended to be connected to AUXILIARY equipment
3. Tuck unused leads into junction box (not provided)
4. Always comply with national codes, local codes and NFPA 13/71 and 72

G300,G300E,W300E WIRING 2 1/2" - 8" VALVE NORMALLY OPEN (G300,G300E,W300,01G,02G,01W) OR VALVE NORMALLY CLOSED (G300C,W300C,G300EC,01GC,02GC,01WC)



Wiring Notes: Connection to power limited circuitry is required.
Auxiliary switch connections are not intended for electrical supervision.
Switches are checked at factory, check continuity with valve fully open (or closed for normally closed valves), switches activates within 2 turns of handwheel from open.



Kennedy Valve
A Division of McWane Inc
www.kennedyvalve.com

2020

1021 E Water St. Elmira, NY 14901
P.O. Box 981

Phone (607) 734-2211 Fax: 1-800-952-4771